

COMBI UNITS



383
117x172,5 cm
PAGE 110



385
180x80-86 cm
PAGE 114



ARMONYA
H46M-546M: 170x70-80 cm
PAGE 118



SHARADE
HT1M-T01M: 170x70 cm
HT4M-T04M: 180x77 cm
PAGE 120



SINTESI 226-284
226: 170x70,5-85 cm
284: 160x70,5-85 cm
PAGE 122



SINTESI 286
180x80-97 cm
PAGE 124



250
170x80 cm
PAGE 126



252
140x140 cm
PAGE 128



257
125x125 cm
PAGE 130



258
125x125 cm
PAGE 130

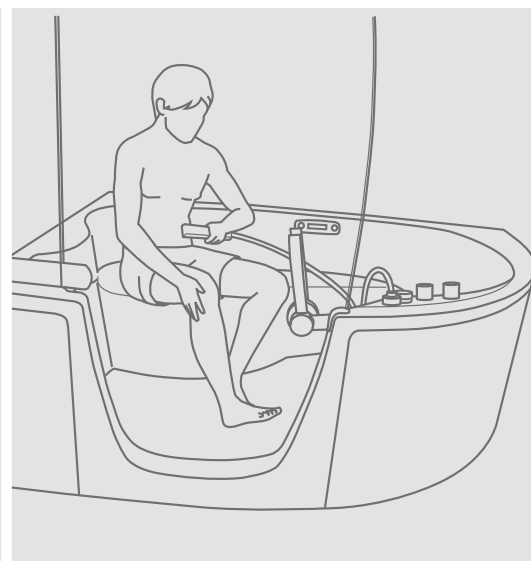
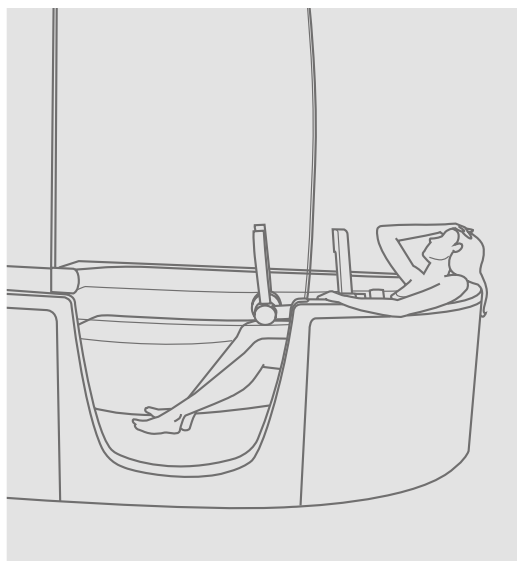
TEUCO COMBI UNITS

383-385 details that make the difference.

The 383 and 385 combi units are more comfortable than conventional walk-in baths with showers. The full-height door grants access to a comfortable shower space which affords the utmost freedom of movement.

The comfortable and ergonomic bathtub can be fitted with Hydrosilence, Teuco's exclusive super-silent whirlpool. The 383 and 385 combi units thus offer genuine regenerating environments of relaxation to enjoy at any time without worrying about disturbing your neighbours.

At last an uncompromising product.



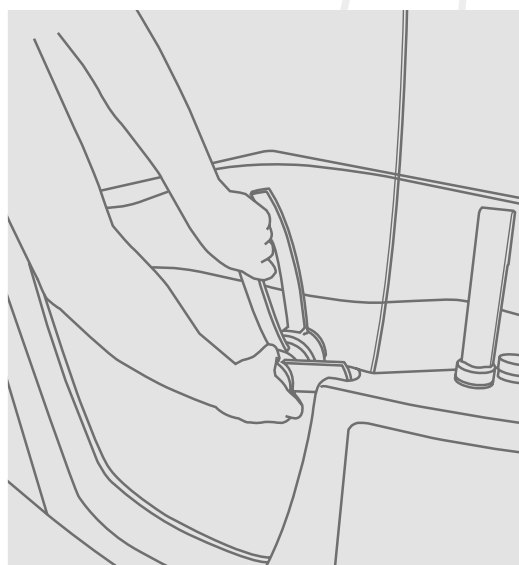
SEATS.

383 and 385 can also be used whilst seated, making them even more practical and safe. In the 383 model, the seat is built in, whereas in the 385 model it is removable. Safe use is further guaranteed by the wall-mounted hand-rail.



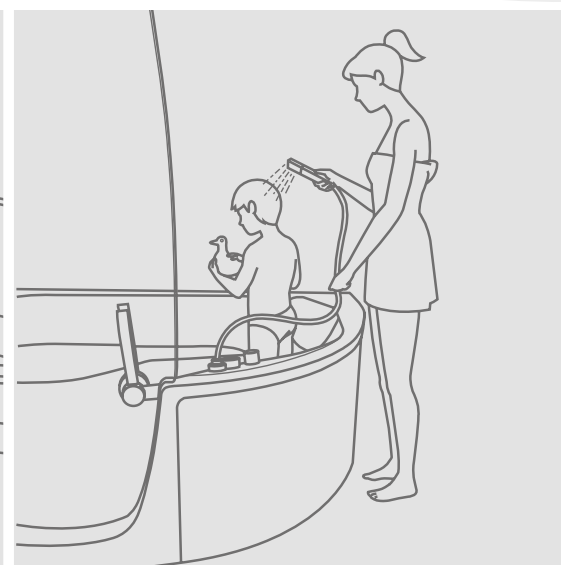
EASIER ACCESS THROUGH THE WIDE DOOR.

Getting into the 383 and 385 combi units is easy and safe, thanks to the full-height door which makes it easier to get into the bath without having to climb over the side. The step is just 13 cm high.



LONG-LEVER ACCESS HANDLE: MINIMUM EFFORT, MAXIMUM SAFETY.

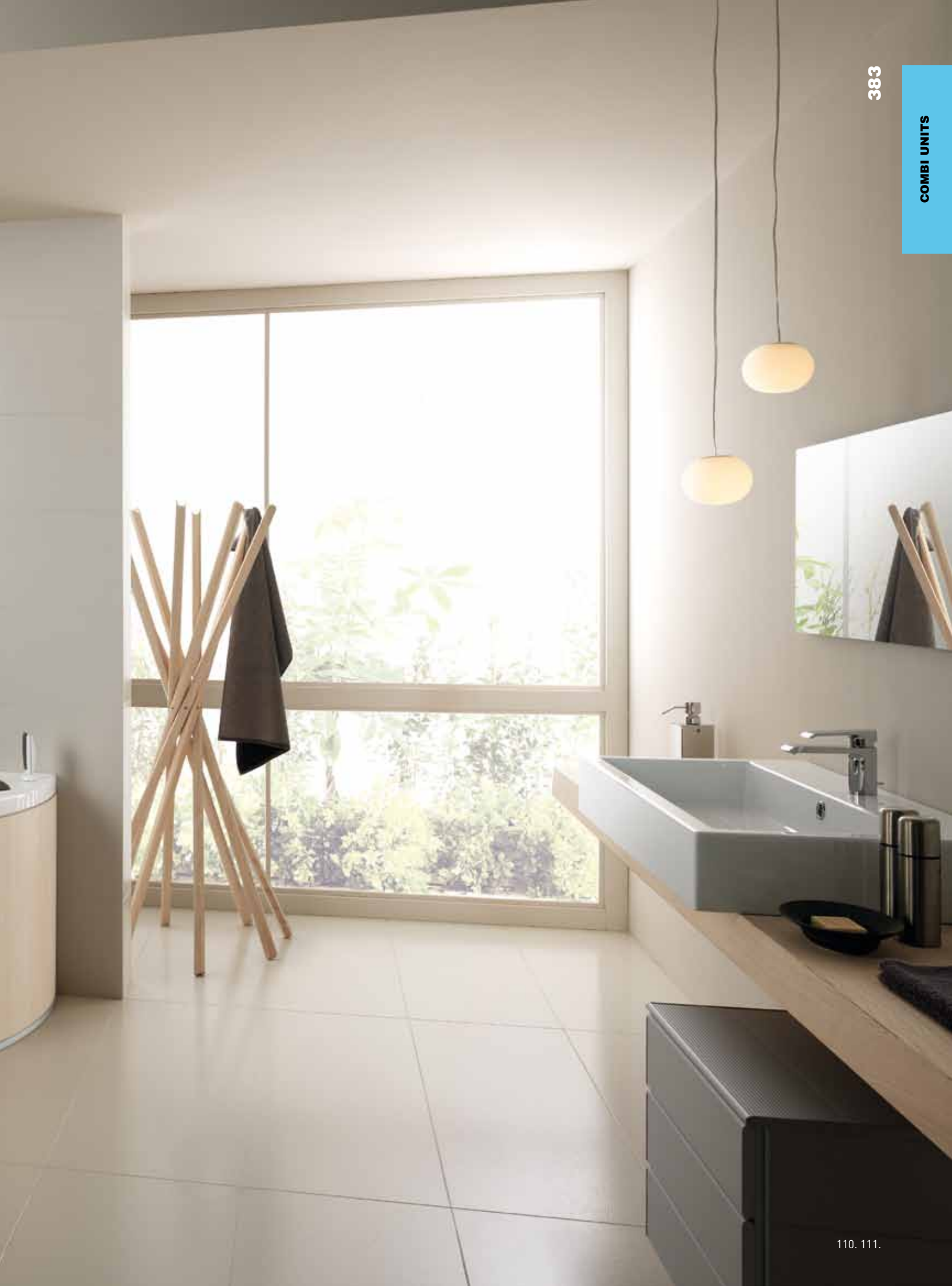
To grant easy access to everyone, the door opens inwards with a long-lever handle that requires minimum effort. Ensuring total safety: to prevent the door from being opened accidentally, the handle comes with a mechanical latch that can be opened from both the inside and the outside. Guaranteed against water leaks, thanks to the seal around the entire access perimeter.



EASY TO USE.

Practical from any point of view as its ergonomic design makes it easy to use for the person inside and an assistant outside, where present.





383
LENCI DESIGN
117x172,5 cm



**Wood finish panelling
(natural or synthetic)**



Limed oak-wood Anthracite oak-wood Wengé

Customisable covering



Acrylic panelling



White (A) European White (Y)

Bathtub colours



White (A) European White (Y)

Headrest



Grey

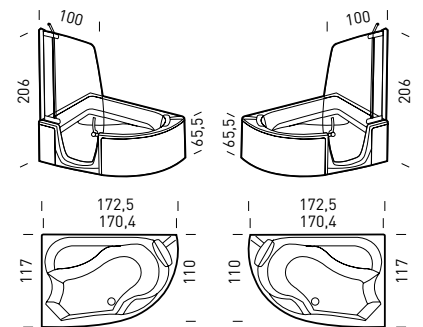


White acrylic

Limed oak-wood



Functions	Without whirlpool	J	BASIC G	E	TOP
Frame					
Integrated seat					
Headrest					
Drain column					
Whirlpool (no. of jets)		6	6	6	8
Control panel					
Massage intensity adjustment		man.	man.	man.	dig.
Level switch					
Backrest and headrest					
Hydro Clean System					
Hydrosilence					
Remote control					
Pulsator					
Chromoexperience					
Drain column with overflow and filler spout					
Wall-mounted hand rail					
Bathrobe holder					
Clean glass					



Water capacity 400 litres
(at overflow level)

■ optional ■ standard □ not available

normal

turned 180°







385
LENCI DESIGN
180x80-86 cm



**Wood finish panelling
(natural or synthetic)**



Limed oak-wood Anthracite oak-wood Wengé

Customisable covering



Acrylic panelling



White (A) European White (Y)

Bathtub colours

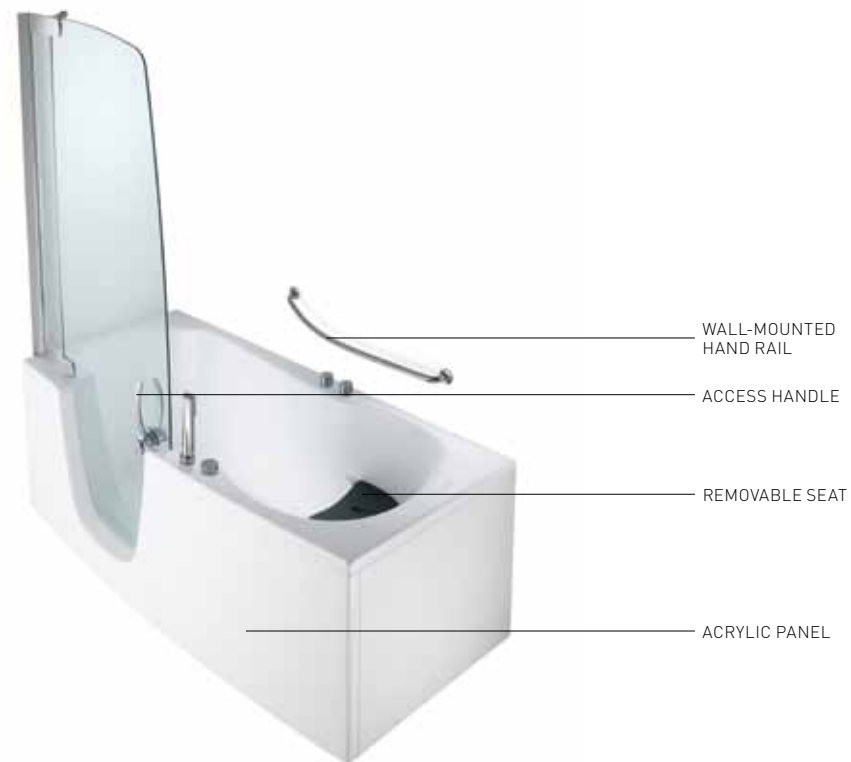


White (A) European White (Y)

Headrest

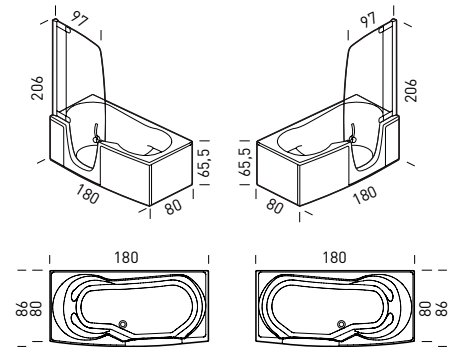


Grey



Functions

	Without whirlpool	J	BASIC G	E	TOP
Frame					
Removable seat					
Drain column					
Whirlpool (no. of jets)		6	6	6	8
Control panel					
Massage intensity adjustment		man.	man.	man.	dig.
Level switch					
Backrest and headrest					
Hydro Clean System					
Hydrosilence					
Remote control					
Pulsator					
Chromoexperience					
Drain column with overflow and filler spout					
Wall-mounted hand rail					
Clean glass					



Water capacity 380 litres
(at overflow level)

■ optional ■ standard □ not available

normal

turned 180°



ARMONYA

ANGELETTI RUZZA DESIGN

H46M-546M: 170x70-80 cm

H46 LIGHT-546 LIGHT: 170x70-80 cm



Bathtub colours

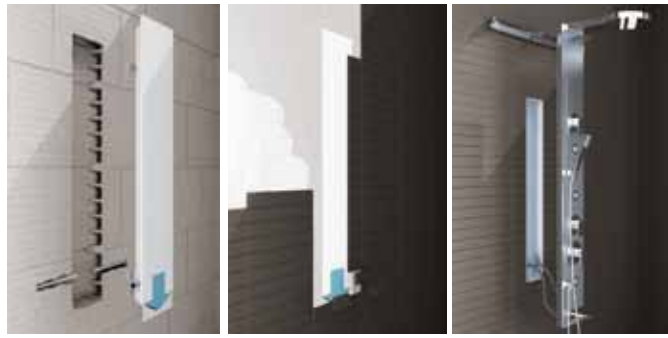


White (A) European White (Y)

Headrest



Grey



Recessing the multi-function shower panel preinstallation kit into the untiled wall



ARMONYA H46 LIGHT-546 LIGHT



ARMONYA H46M-546M



Bathtub functions

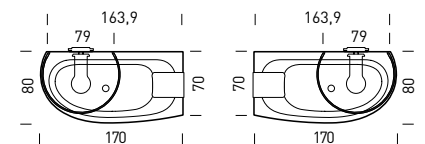
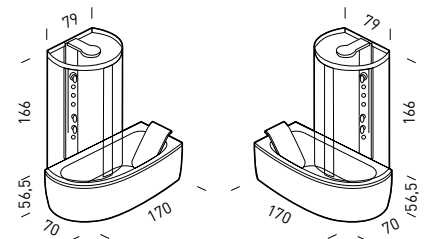
	Without whirlpool	J	BASIC G	E	TOP	HYDROSONIC GL	GXL
Frame							
Drain column							
Whirlpool (no. of jets)		6	6	6	8	8	8
Control panel							
Massage intensity adjustment		man.	man.	man.	dig.	dig.	dig.
Chromoexperience							
Headrest							
Level switch							
Backrest and headrest							
Hydro Clean System							
Hydrosilence							
Remote control							
Pulsator							
Hydrosonic							
Heater							
Radio (Acoustic Panel)							

Shower functions

	H46 - 546 LIGHT	H46M - 546M
Hand shower on rail		
Central shower head		
Thermostatic mixer or single lever mixer tap		
Water massage selection		man.
Water Massage		
Clean glass		

Water capacity 200 litres (at overflow level)

■ optional ■ standard □ not available



normal

turned 180°



SHARADE

TALOCCI DESIGN

HT1M-T01M: 170x70-84,5 cm

HT2M-T02M: 170x70-84,5 cm

HT4M-T04M: 180x77-93 cm

HT5M-T05M: 180x77-93 cm



Bathtub colours



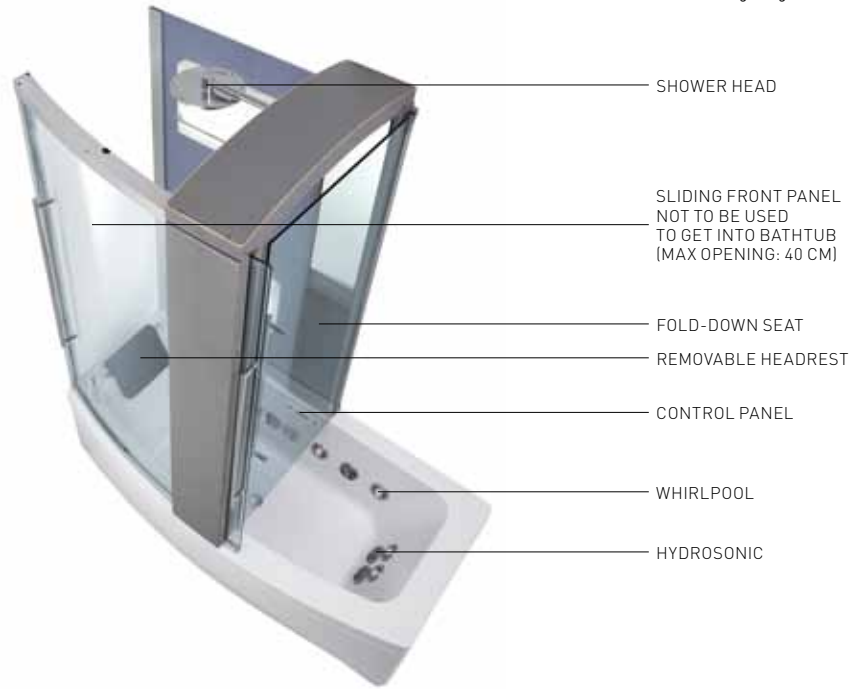
Opal glass panels



Headrest and Seat



SHARADE version LIGHT without backlighting



SHOWER HEAD

SLIDING FRONT PANEL
NOT TO BE USED
TO GET INTO BATHTUB
(MAX OPENING: 40 CM)

FOLD-DOWN SEAT

REMOVABLE HEADREST

CONTROL PANEL

WHIRLPOOL

HYDROSONIC



Functions

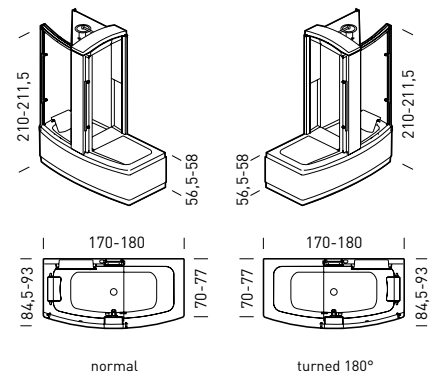
	Without whirlpool	J	BASIC G	E	TOP	HYDROSONIC GL	GXL
Frame							
Headrest							
Drain column							
Whirlpool (no. of jets)		6	6	6	8	8	8
Control panel							
Massage intensity adjustment		man.	man.	man.	dig.	dig.	dig.
Chromoexperience							
Level switch							
Backrest and headrest							
Hydro Clean System							
Hydrosilence							
Remote control							
Pulsator							
Hydrosonic							
Heater							
Radio (Acoustic Panel)							

Shower functions

	HT01-T01-HT05-T05 LIGHT with backlighting	HT02-T02-HT04-T04 no backlighting
Hand shower		
Central shower head		
Thermostatic mixer or single lever mixer tap		
Clean glass		
Water massage selection	man.	man.
Water Massage		
Seat		
Sliding front panel		
Backlit rear wall panel		

Water capacity:
HT01, T01, HT02, T02 = 200 litres
HT04, T04, HT05, T05 = 242 litres
(at overflow level)

■ optional ■ standard □ not available



SINTESI 226-284

LENCI-TALOCCI DESIGN

226: 170x70,5-85 cm

284: 160x70,5-85 cm



Colours



White (A) European White (Y)

Polyurethane parts



White (standard) Turquoise (on request)



- SHOWER HEAD
- HAND SHOWER ON RAIL
- MIRROR
- STORAGE SHELVES
- TEMPERED GLASS SLIDING DOOR AND PANELS
- WATER MASSAGE JETS
- FOOT MASSAGE
- REMOTE CONTROL
- REMOVABLE POLYURETHANE SEAT
- CONTROL PANEL



Bathtub functions

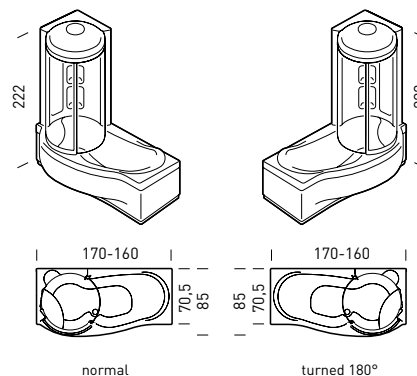
	Without whirlpool	EASY	TOP
Frame			
Drain column			
Removable seat			
284 - Whirlpool (no. of jets)		6	6
226 - Whirlpool (no. of jets)		6	8
Control panel			
Massage intensity adjustment		man.	dig.
Level switch			
Backrest and headrest			
Hydro Clean System			
Hydrosilence			
Remote control			
Pulsator			

Shower functions

	284 - 226	284 - 226 Multi-function
Hand shower on rail		
Central shower head		
Roof		
Thermostatic mixer or single lever mixer tap		
Water massage selection		man.
Water Massage		
Equipped shower panel for version on free side		
Clean glass		

Water capacity:
284 = 180 litres - 226 = 190 litres
(at overflow level)

optional
 standard
 not available



SINTESI 286

LENCI-TALOCCI DESIGN

180x80-97 cm



Colours



White (A)

European White (Y)



SHOWER HEAD

HAND SHOWER ON RAIL

SLIDING DOOR

SINGLE-LEVER MIXER TAP

FLOW DIVERTER

FOOT MASSAGE

WATER MASSAGE JETS

REMOTE CONTROL

CONTROL PANEL

WATER OUTLET SPOUT



Bathtub functions

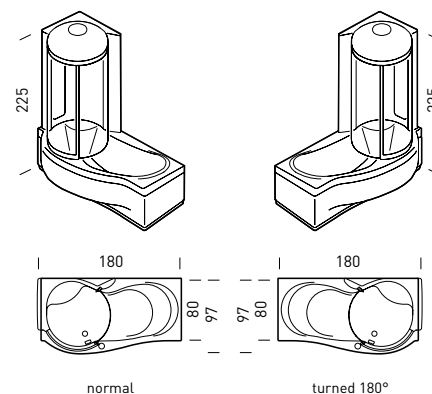
	Without whirlpool	EASY	TOP
Frame			
Drain column			
Whirlpool (no. of jets)		6	8
Control panel			
Massage intensity adjustment		man.	dig.
Level switch			
Backrest and headrest			
Hydro Clean System			
Hydrosilence			
Remote control			
Pulsator			

Shower functions

	286	286 Multi-function
Hand shower on rail		
Central shower head		
Roof		
Thermostatic mixer or single lever mixer tap		
Water massage selection		man.
Water Massage		
Equipped shower panel for version on free side		
Clean glass		

Water capacity 230 litres (at overflow level)

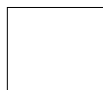
optional
 standard
 not available



250
LENCI-TALOCCI DESIGN
170x80 cm



Bathtub colours



White (A)

Polyurethane parts



White (standard)



Turquoise (on request)



- HAND SHOWER ON RAIL
- REMOVABLE SEAT
- WATER MASSAGE JETS
- SLIDING DOOR
- THERMOSTATIC MIXER
- FOOT MASSAGE
- CONTROL PANEL
- POLYURETHANE FOLD-DOWN SEAT



Bathtub functions

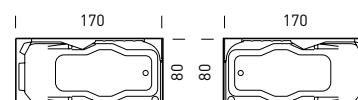
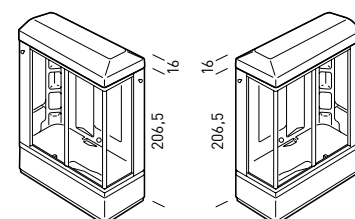
	Without whirlpool	TOP
Frame		
Drain column		
Fold-down seat		
Whirlpool (no. of jets)		8
Control panel		
Massage intensity adjustment		dig.
Level switch		
Backrest and headrest		
Hydro Clean System		
Hydrosilence		
Pulsator		

Shower functions

	250S	250E
Hand shower on rail		
Roof with ceiling light		
Thermostatic mixer or single lever mixer tap		
Water massage selection	man.	dig.
Water Massage		
Control panel		
Aromatherapy oil dispenser		
Air recirculation		
Descaling		
Turkish bath with temperature control		
Radio (Acoustic Panel)		
Air system		
Clean glass		
Electronic riser rail		
Scottish shower		
Lymphatic drainage		
External control panel		

Water capacity 190 litres (at overflow level)

optional
 standard
 not available



right version

left version



252
LENCI-TALOCCI DESIGN
140x140 cm



Bathtub colours



White (A)

Polyurethane parts



White (standard)



Turquoise (on request)



HAND SHOWER ON RAIL

MIRROR
WATER
MASSAGE JETS

SLIDING DOOR

FOOT MASSAGE

CONTROL PANEL
REMOTE CONTROL

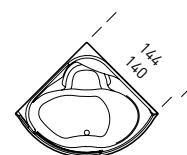
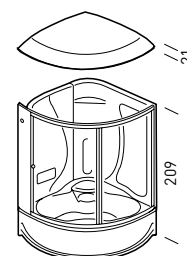


Bathtub functions

	Without whirlpool	TOP
Frame		
Drain column		
Removable seat		
Whirlpool (no. of jets)		8
Control panel		dig.
Massage intensity adjustment		
Level switch		
Backrest and headrest		
Hydro Clean System		
Hydrosilence		
Pulsator		

Shower functions

	252M	252S	252E
Hand shower on rail			
Water massage selection	man.	man.	dig.
Water Massage			
Roof with ceiling light			
Central shower head			
Thermostatic mixer or single lever mixer tap			
Electronically controlled thermostatic mixer			
Control panel			
Aromatherapy oil dispenser			
Air recirculation			
Descaling			
Turkish bath with temperature control			
Radio (Acoustic Panel)			
Air system			
Electronic riser rail			
Scottish shower			
Lymphatic drainage			
External control panel			
Clean glass			



Water capacity 242 litres (at overflow level)

optional
 standard
 not available



257-258

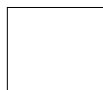
LENCI-TALOCCI DESIGN

257: 125x125 cm

258: 125x125 cm



Bathtub colours



White (A)



257M



258

- HAND SHOWER ON RAIL
- MIRROR
- SLIDING DOOR
- WATER MASSAGE JETS
- THERMOSTATIC MIXER
- FOOT MASSAGE
- REMOTE CONTROL
- WATER OUTLET SPOUT
- CONTROL PANEL

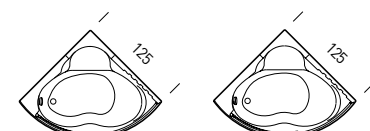
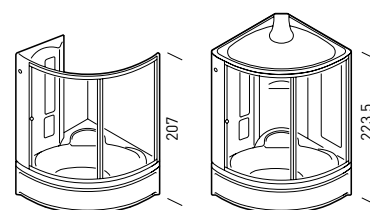


Bathtub functions

	Without whirlpool	EASY	TOP
Frame			
Drain column			
Whirlpool (no. of jets)		6	6
Control panel			
Massage intensity adjustment		man.	dig.
Level switch			
Backrest and headrest			
Hydro Clean System			
Hydrosilence			
Remote control			
Pulsator			

Shower functions

	257	257M	258R
Hand shower on rail			
Thermostatic mixer or single lever mixer tap			
Central shower head			
Water massage selection		man.	dig.
Water Massage			
Integrated seat			
Roof			
Aromatherapy oil dispenser			
Air recirculation			
Descaling			
Turkish bath with temperature control			
Ceiling light			
Clean glass			



257

258

Water capacity 170 litres (at overflow level)

optional
 standard
 not available

